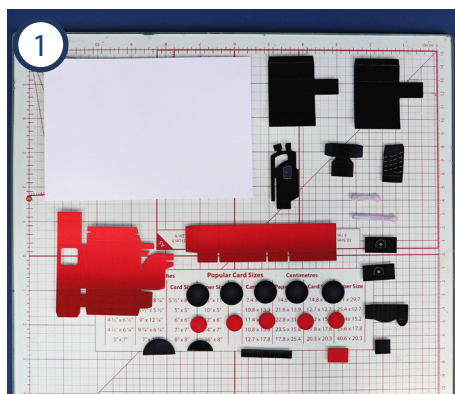


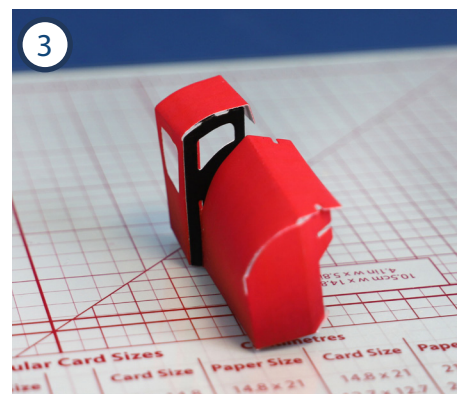
3D Miniatures Train



1 Cut die A with one of the windows. Cut each of the remaining dies (including both semicircle sizes labelled F), cutting dies C and D twice, and both sizes of the circle labelled G five times. Cut a card base to mount the train onto.



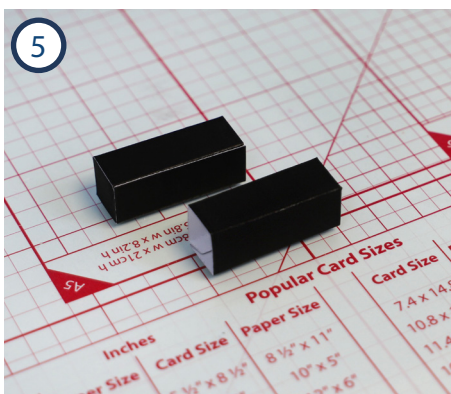
2 Fold up die cut A to make the train boiler and cab.



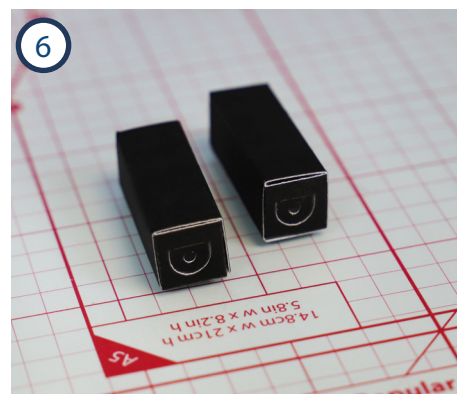
3 Stick die cut B onto die cut A as shown, using the tabs on the underside of the cab roof.



4 Fold up and secure the tabs of the carriage to make an open cuboid shape.

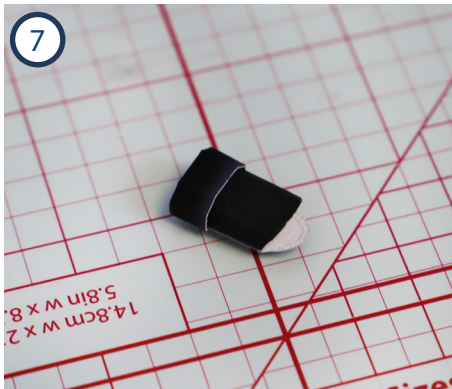


5 Fold up and secure both C die cuts to make open-ended tubes.

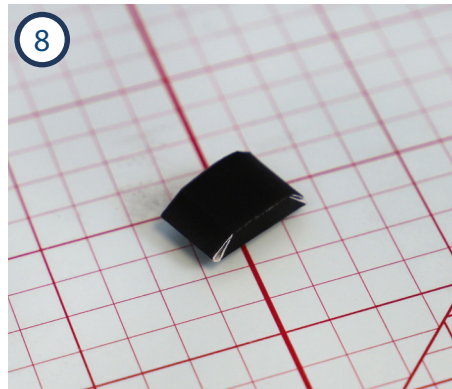


6 Fold and stick the D die cuts into the open ends of the C die cuts.

3D Miniatures Train



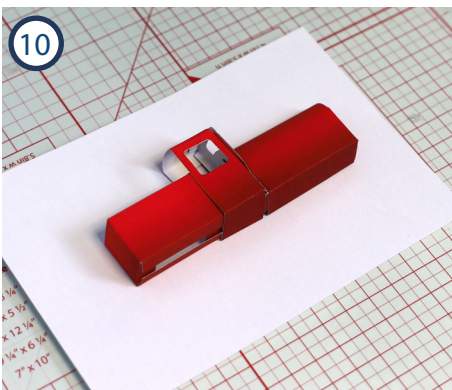
7
Fold up and secure die cut H. Wrap and stick die cut J around the brim to create the chimney.



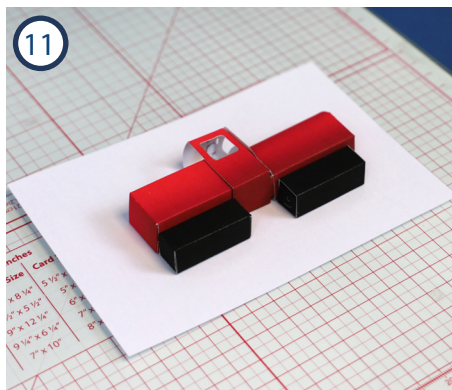
8
Fold up and stick together die cut E to create the cylinder.



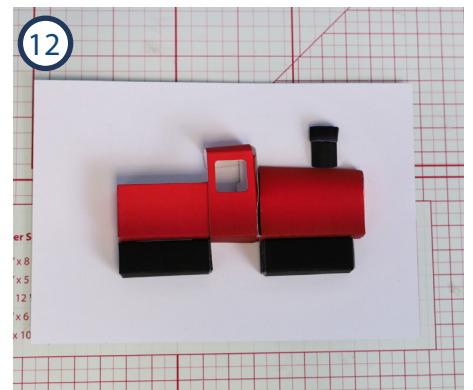
9
Stick the main body of the train onto the card base.



10
Stick the carriage behind the train on its left.

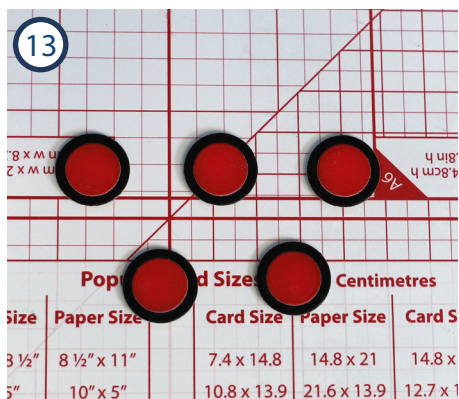


11
Stick the train bogies (wheel trucks) onto the underside of the train as shown.

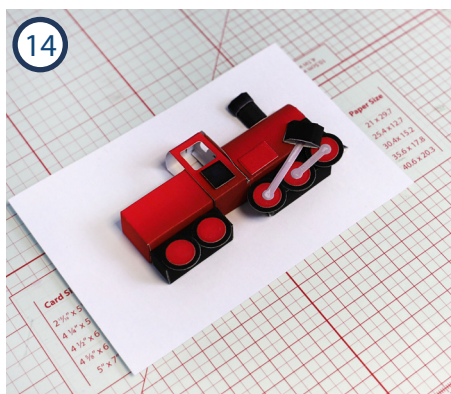


12
Stick the chimney on top of the train.

3D Miniatures Train



Stick the wheel parts together in pairs as shown.



Stick the wheels onto the train and add the remaining embellishments as shown.